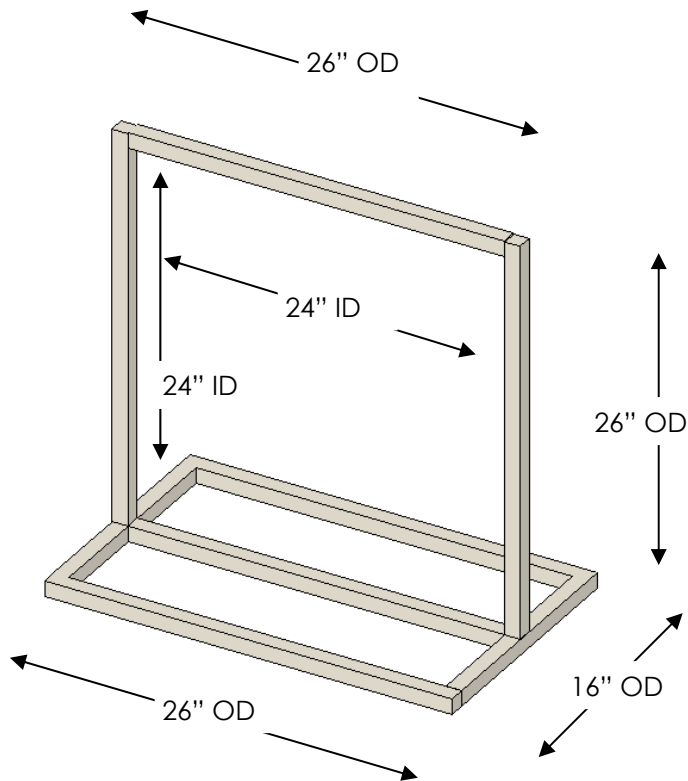


Table Top Specifications



Top Panel : 24" x 24" panel

Total printable area : 22.50" x 22.50"

For additional information visit:



Art file requirements:

- File types supported include: jpeg, tiff, eps, pdf, AI, PSD
- Vector art files are preferred with fonts converted to curves.
- Non-vector art should be at least 200 dpi at the print size shown below.